

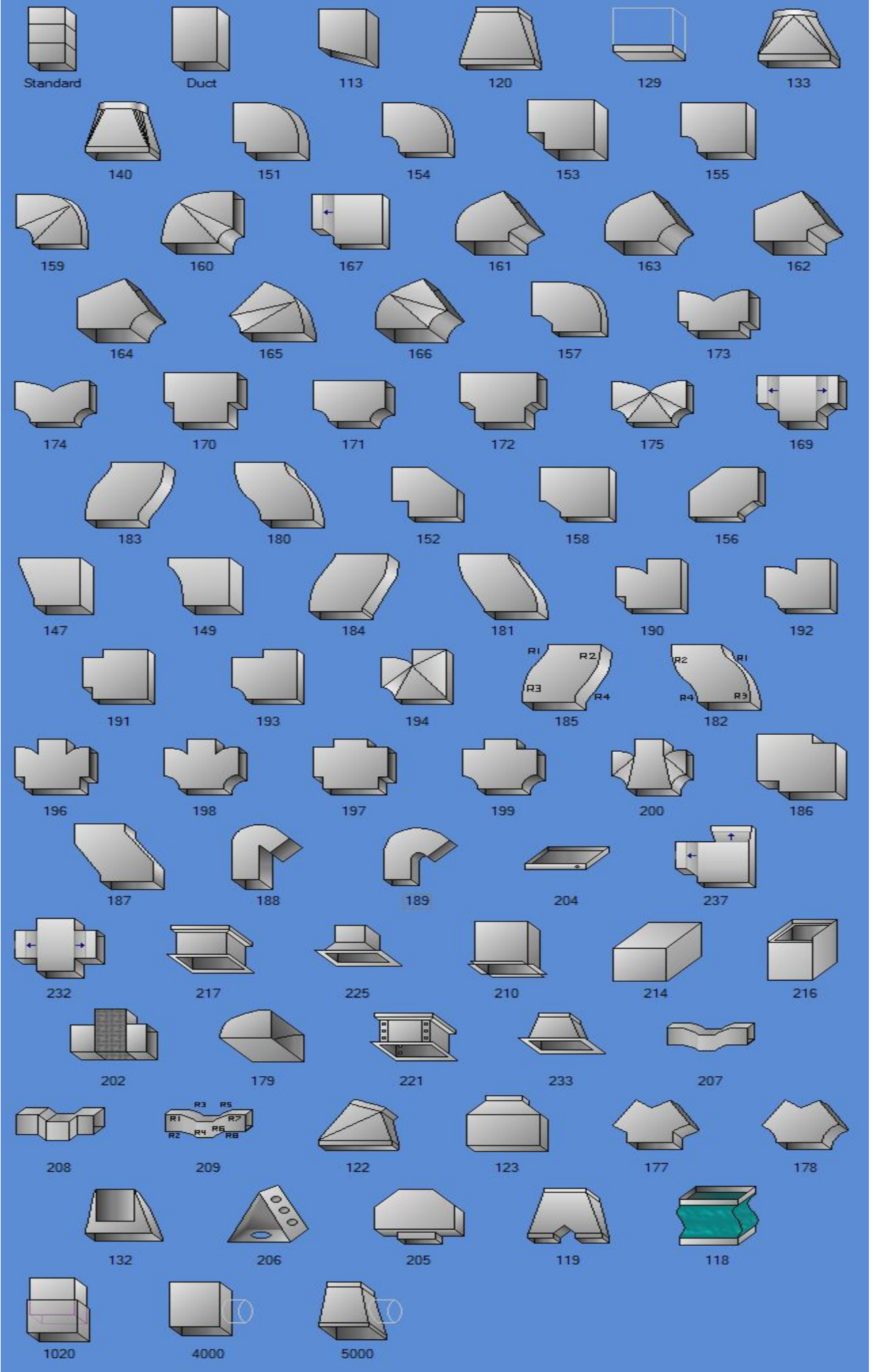


the confort by your side.

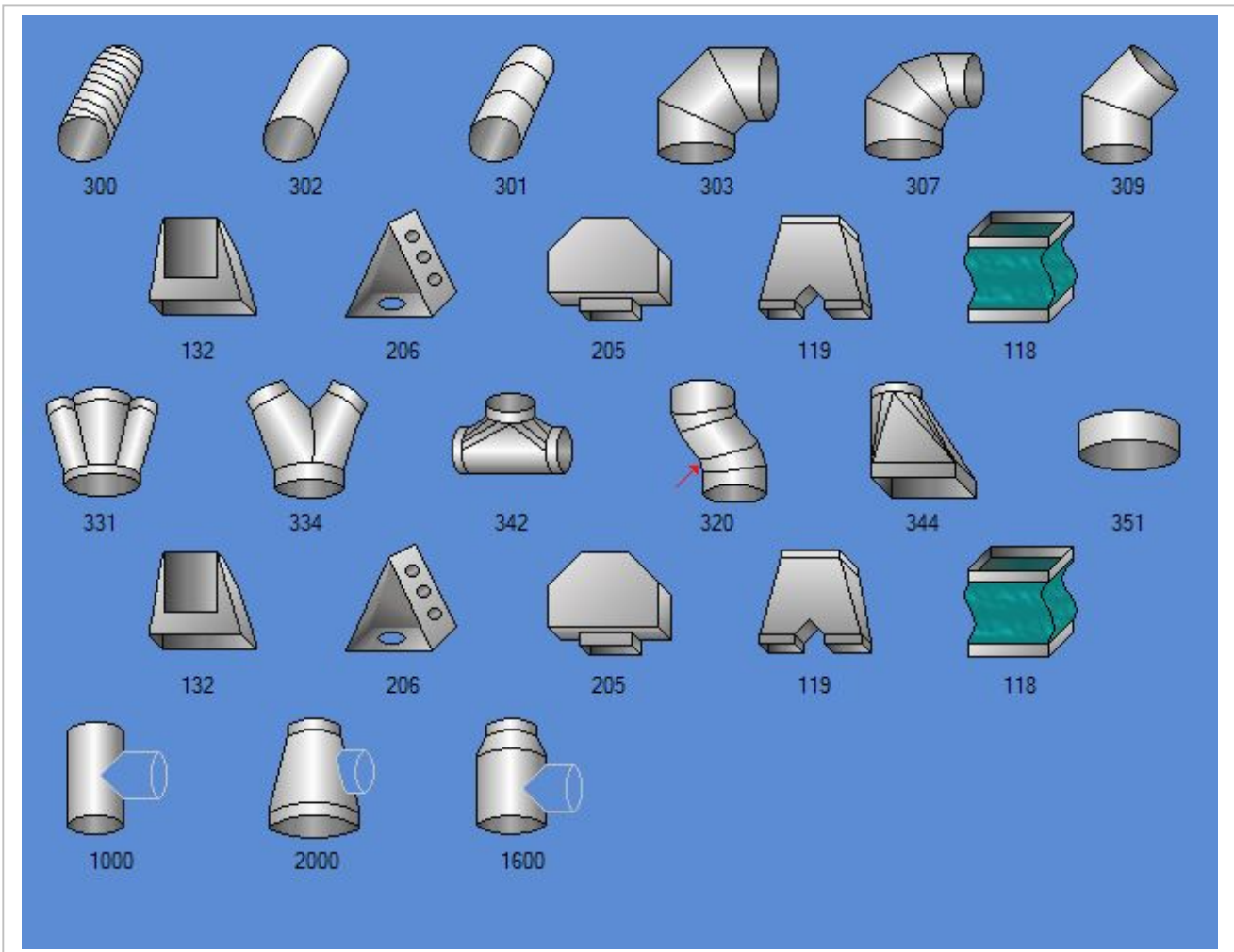
PRODUCTS CATALOG

RECTANGULAR
AND
ROUND
PRODUCTS

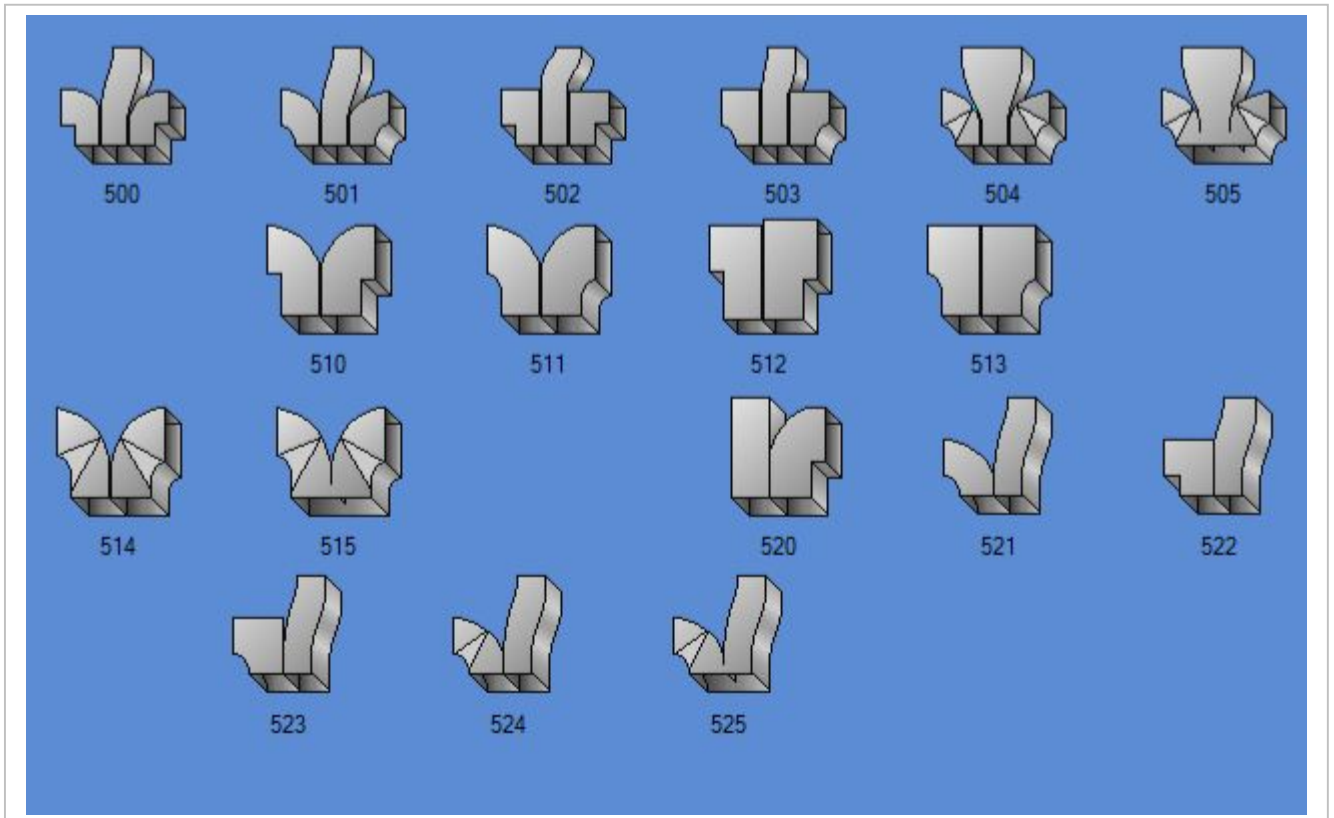
RECTANGULAR PRODUCTS



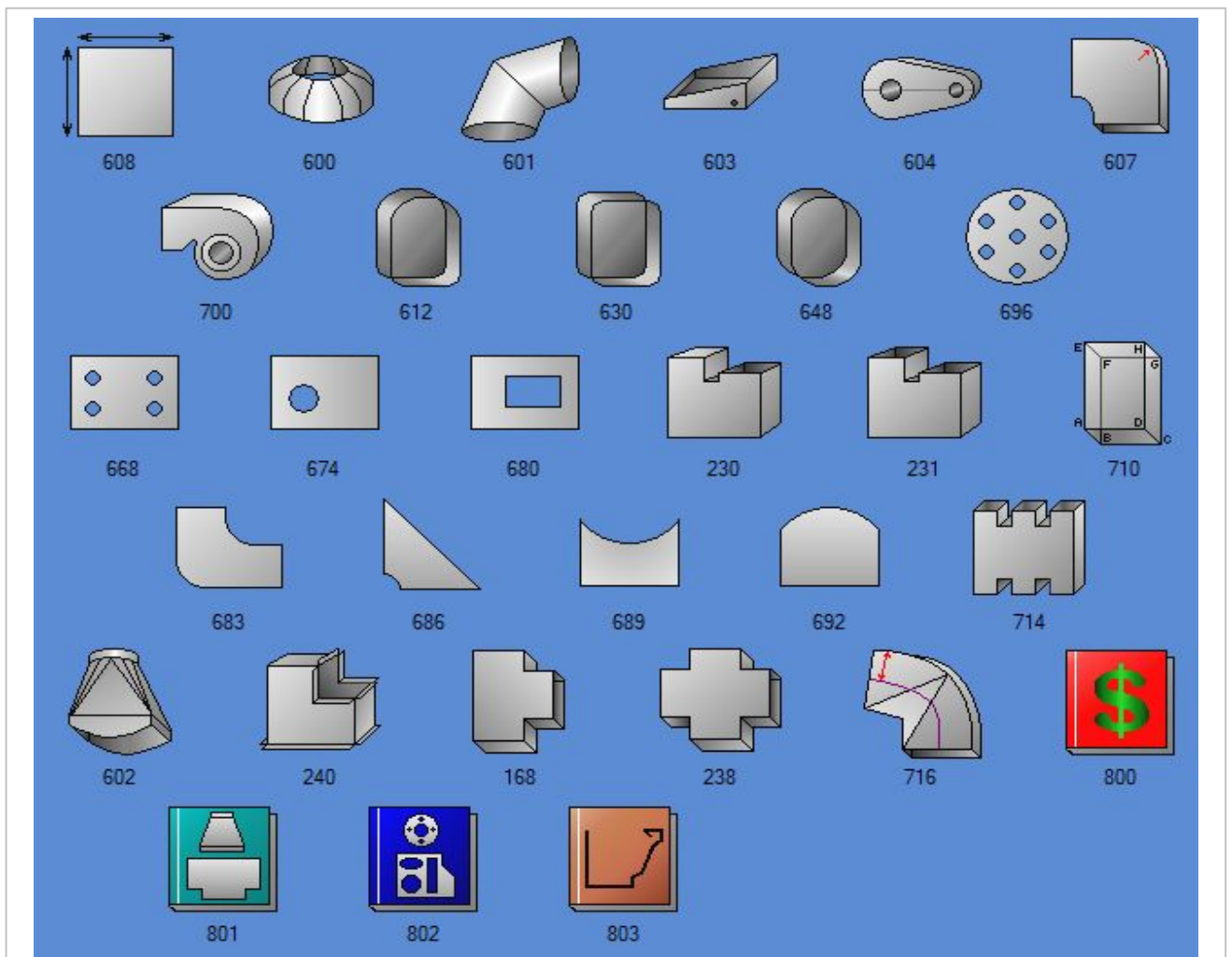
ROUND PRODUCTS



NESTED



SPECIAL



Rectangular products

1 – 13

Rectangular duct

1

Rectangular elbow

2 - 3

Rectangular reducer

4

Square to round reducer

5

Rectangular duct with deviation

6 - 7

Rectangular tee

8 - 10

Nested Y branch

11

Rectangular cross

12

Gooseneck

13

Round products

14 - 21

Round duct

14

Spiral round duct

15

Round elbow

16 - 17

Round reducer

18

Round tee

19

Female coupling

20

Coupling

21



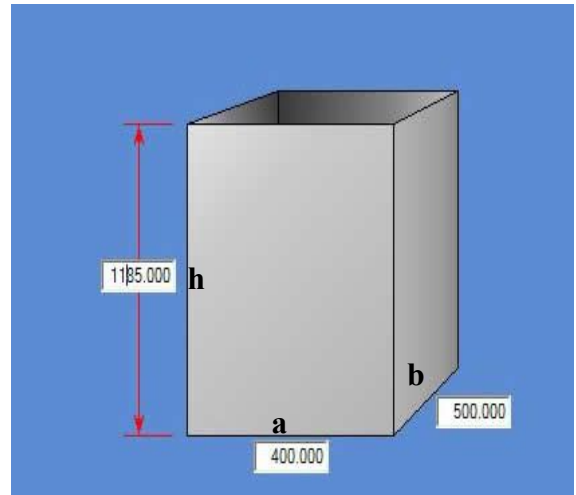
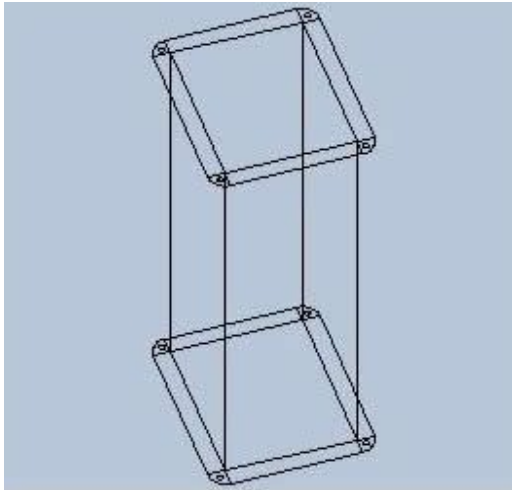
RECTANGULAR DUCT

Demark Construct code:

DMC CR axb-h
 a = length;
 b = width;
 h = height.

Example:

DMC CR 400x500-1185





RECTANGULAR PRODUCTS

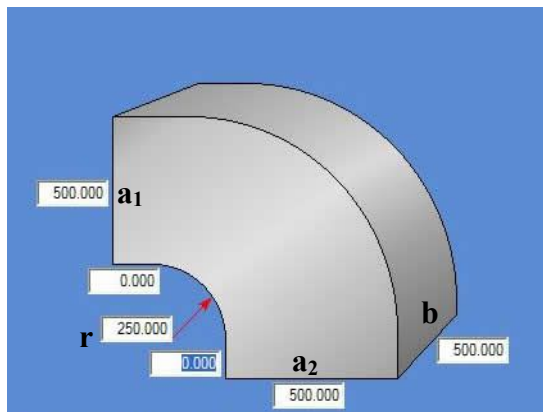
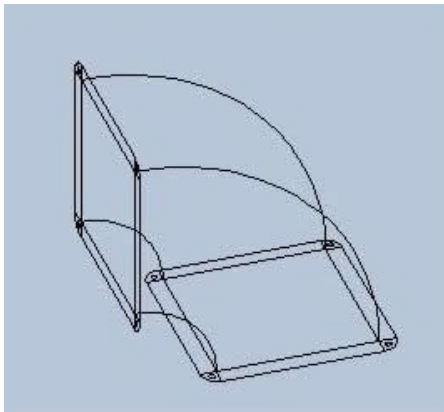
RECTANGULAR ELBOW

Demark Construct code:

DMC CTR $a_1xb-a_2xb-r-90^\circ$
 a_1 = side 1;
 a_2 = side 2;
 b = width;
 r = ray.

Example:

DMC CTR 500x500-500x500-250-90

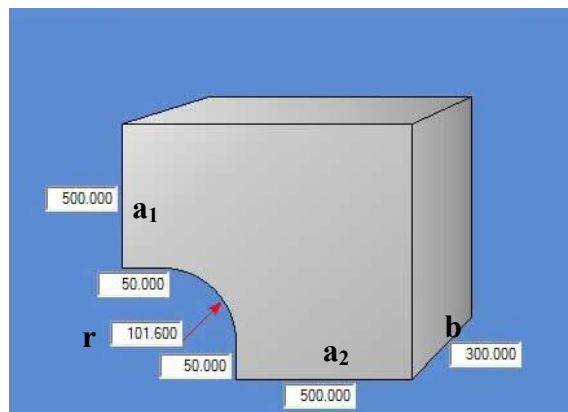
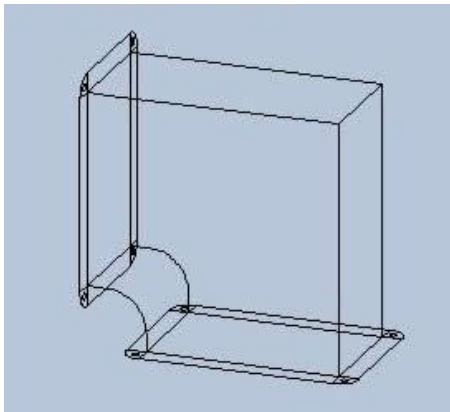




RECTANGULAR PRODUCTS

RECTANGULAR ELBOW

<i>Demark Construct code:</i>	<p>DMC CTR $a_1 \times b - a_2 \times b - r - 90^\circ$</p> <p>$a_1$ = side 1; a_2 = side 2; b = width; r = ray.</p>
<i>Example:</i>	DMC CTR 500x300-500x300-101-90





RECTANGULAR PRODUCTS

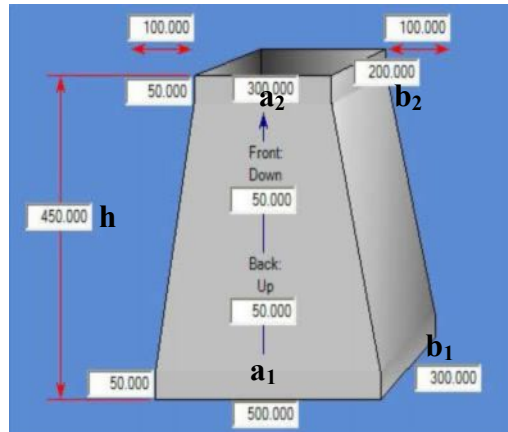
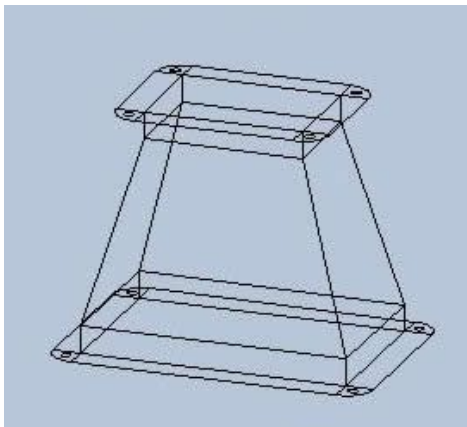
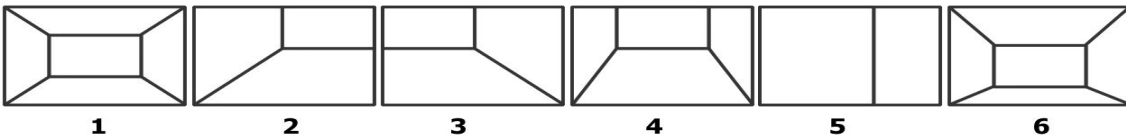
RECTANGULAR REDUCER

Demark Construct code:

DMC RR $a_1 \times b_1 - a_2 \times b_2 - h - t$
 $a_1 \times b_1$ = length1 x width1;
 $a_2 \times b_2$ = length2 x width2;
 h = height;
 t = type (1-6).

Example:

DMC RR 500x300-300x200-450-1





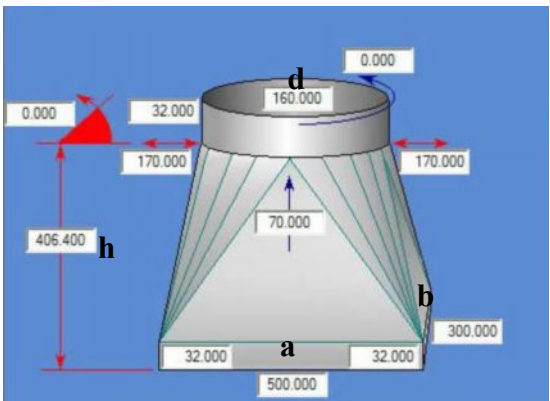
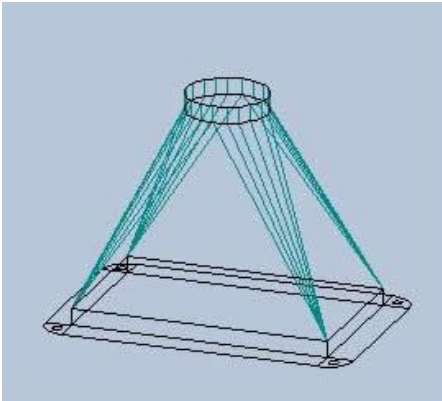
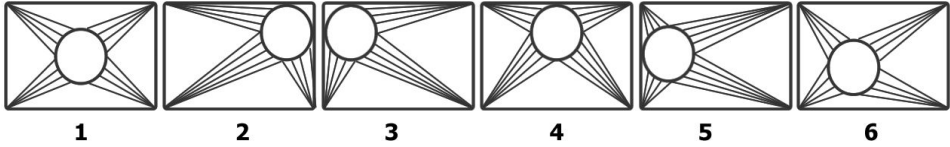
SQUARE TO ROUND REDUCER

Demark Construct code:

DMC RRC axb-d-h-t
 axb = length x width;
 d = diameter;
 h = height;
 t = type (1-6).

Example:

DMC RRC 500x300-150-405-1





RECTANGULAR PRODUCTS

RECTANGULAR DUCT WITH DEVIATION

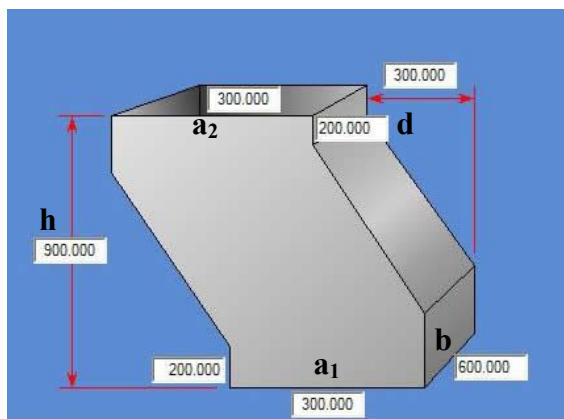
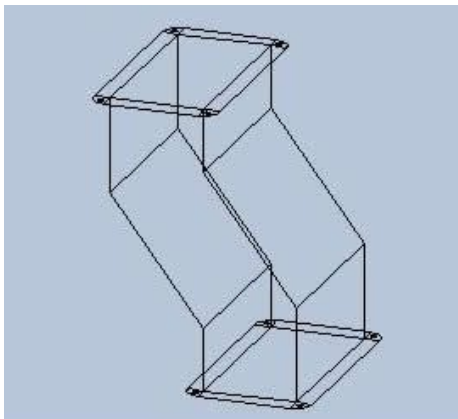
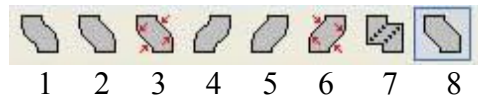
Demark Construct code:

DMC CRD $a_1 \times b - a_2 \times b - d - h - t$

- a_1 = side 1;
- a_2 = side 2;
- b = width;
- d = deviation;
- h = height;
- t = type (1-8).

Example:

DMC CRD 300x600-300x600-300-900 -8



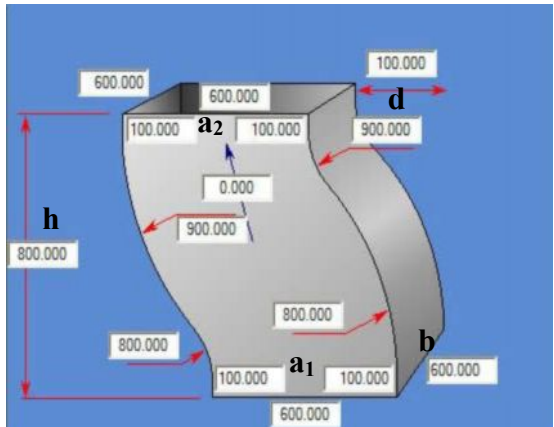


RECTANGULAR PRODUCTS

RECTANGULAR DUCT WITH DEVIATION

<p><i>Demark Construct code:</i></p>	<p>DMC CRD $a_1 \times b - a_2 \times b - d - h - t$ a_1 = side 1; a_2 = side 2; b = width; d = deviația; h = height; t = type (1-8).</p>
--------------------------------------	--

<p><i>Example:</i></p>	<p>DMC CRD 600x600-600x600-100-800-3</p>
------------------------	--





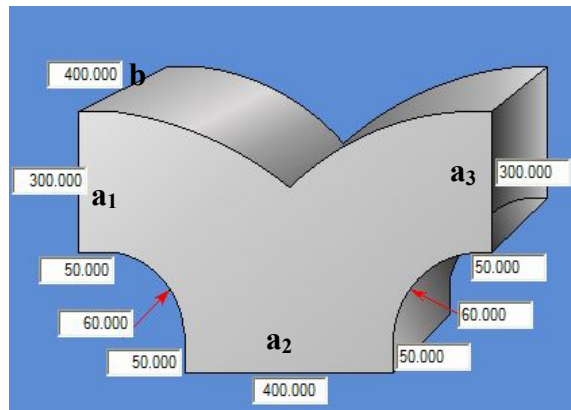
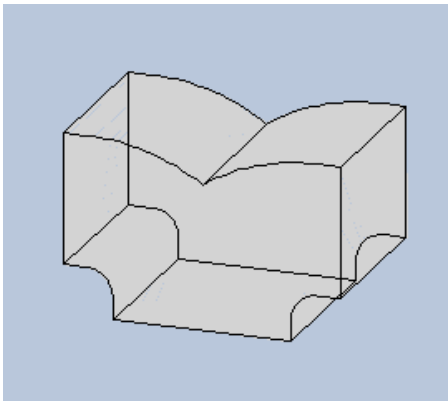
RECTANGULAR TEE

Demark Construct code:

DMC TR $a_1 \times b - a_2 \times b - a_3 \times b$
 a_1 = side 1;
 a_2 = side 2;
 a_3 = side 3
 b = width.

Example:

DMC TR 300x400-400x400-300x400

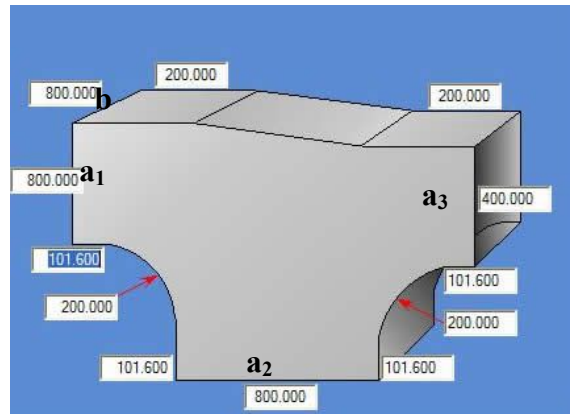
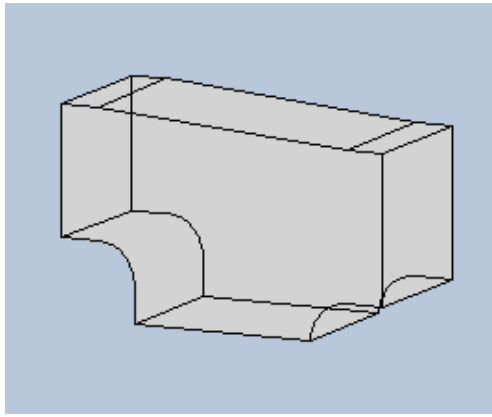




RECTANGULAR PRODUCTS

RECTANGULAR TEE

<p><i>Demark Construct code:</i></p>	<p>DMC TR $a_1 \times b - a_2 \times b - a_3 \times b - t$ a_1 = side 1; a_2 = side 2; a_3 = side 3 b = width; t = type.</p>
<p><i>Example:</i></p>	<p>DMC TR 800x800-800x800-400x800-1</p>



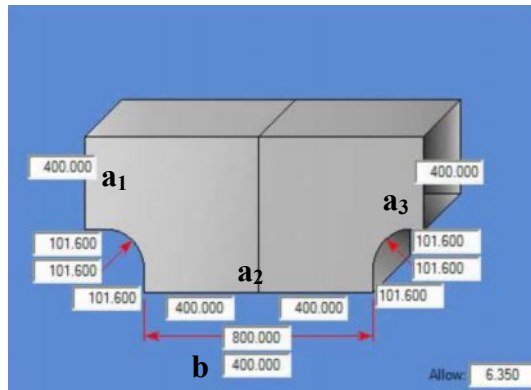
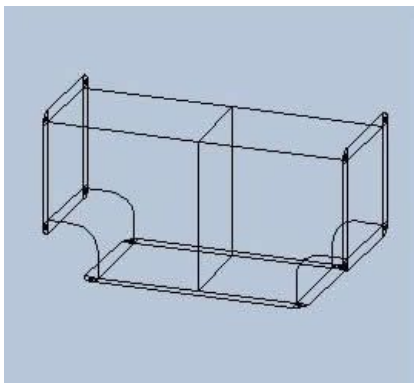
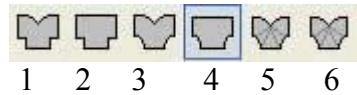


RECTANGULAR PRODUCTS

RECTANGULAR TEE

Demark Construct code: DMC TR $a_1xb-a_2xb-a_3xb$
 a_1 = side 1;
 a_2 = side 2;
 a_3 = side 3
 b = width.

Example: DMC TR 400x400-800x400-400x400

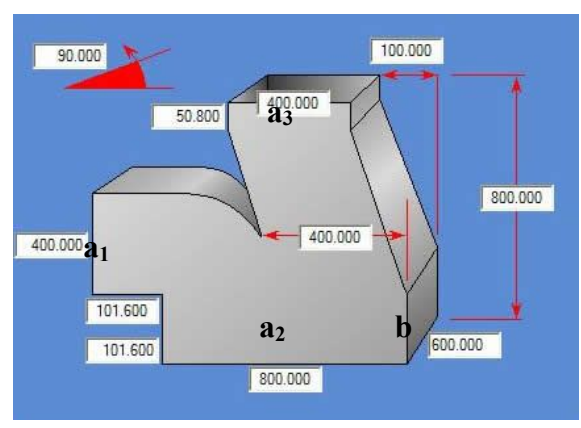
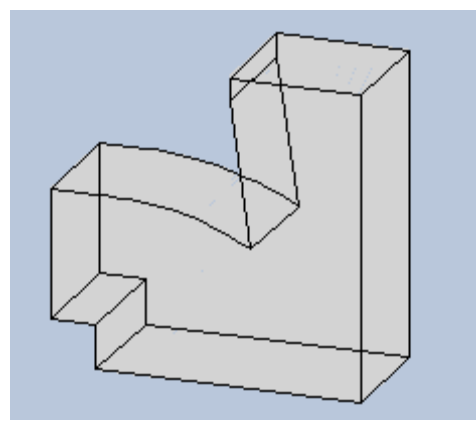
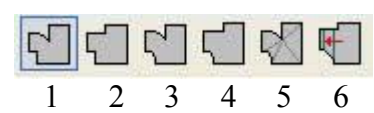




RECTANGULAR PRODUCTS

NESTED Y BRANCH

<p><i>Demark Construct code:</i></p>	<p>DMC RAM $a_1 \times b - a_2 \times b - a_3 \times b - t$ a_1 = side 1; a_2 = side 2; a_3 = side 3 b = width; t = type (1 - 6).</p>
<p><i>Example:</i></p>	<p>DMC RAM 400x600-800x600-400x600-1</p>





RECTANGULAR PRODUCTS

RECTANGULAR CROSS

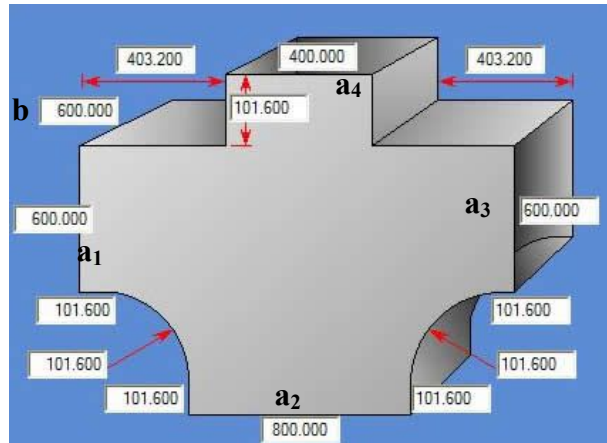
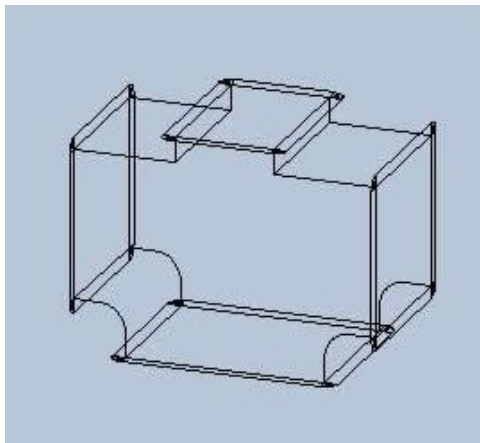
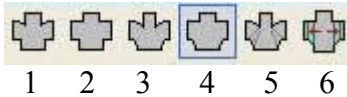
Demark Construct code:

DMC CRU $a_1xb-a_2xb-a_3xb-a_4xb-t$

- a_1 = side 1;
- a_2 = side 2;
- a_3 = side 3;
- a_4 = side 4;
- b = width;
- t = type (1 - 6).

Example:

DMC CRU 600x600-600x600-600x600-400x600





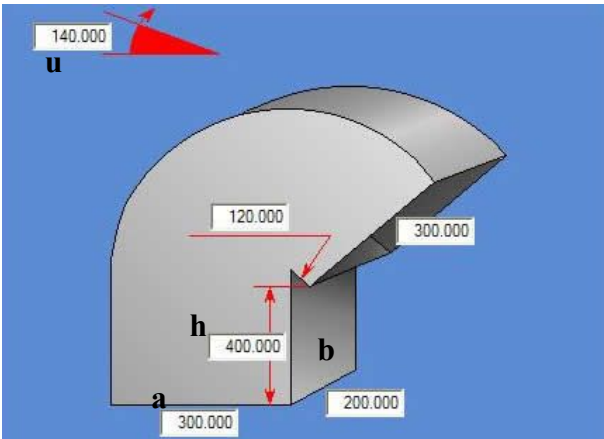
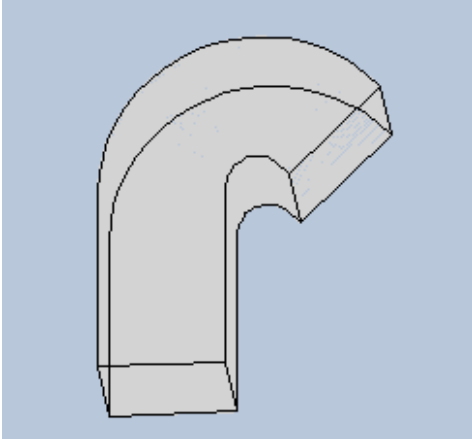
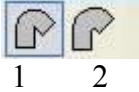
GOOSENECK

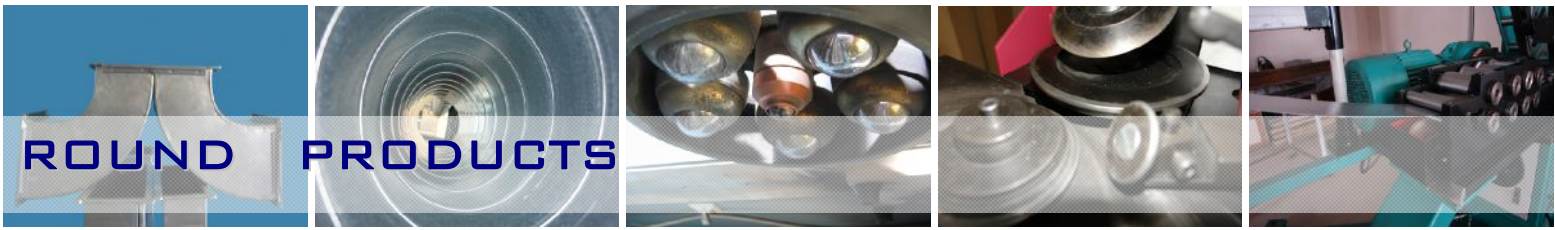
Demark Construct code:

DMC PTRC axb-h-u
 a = side;
 b = width;
 h = height;
 u = angle.

Example:

DMC PTRC 300x-200-400-140





ROUND

PRODUCTS

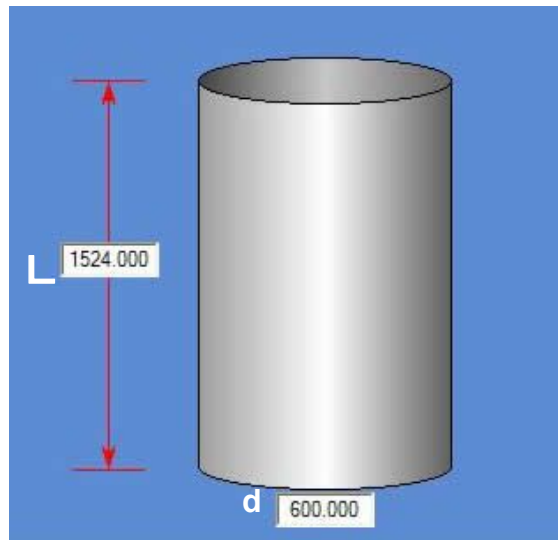
ROUND DUCT

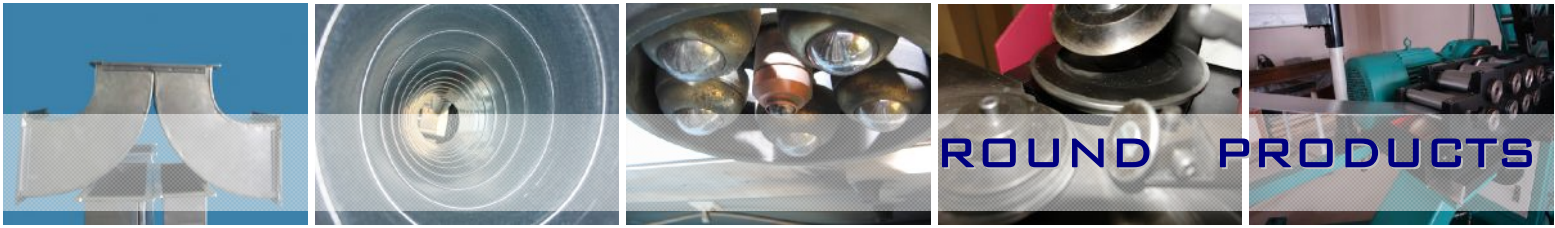
Demark Construct code:

DMC CC d-L
d = diameter;
L = length.

Example:

DMC CC 600-1200





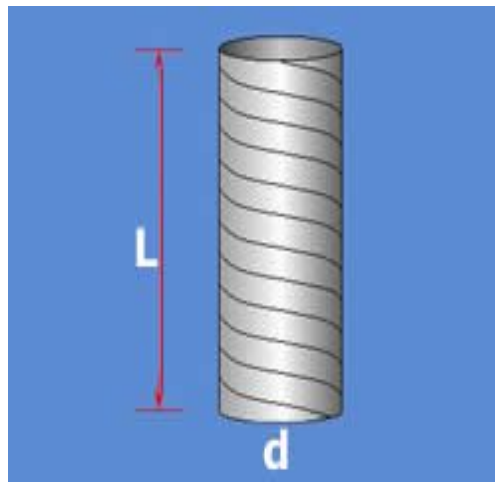
SPIRAL ROUND DUCT

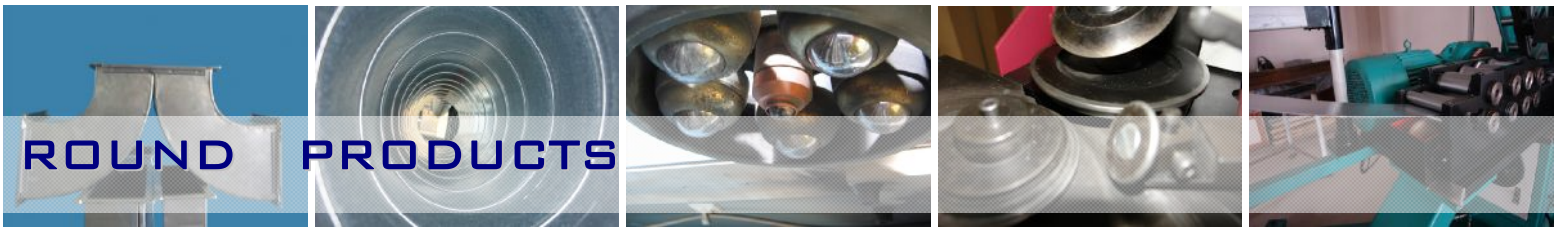
Demark Construct code:

DMC CS d-L
d = diameter;
L = length.

Example:

DMC CS 600-3000





ROUND

PRODUCTS

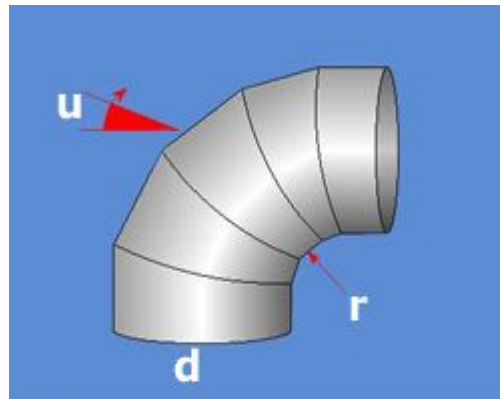
ROUND ELBOW

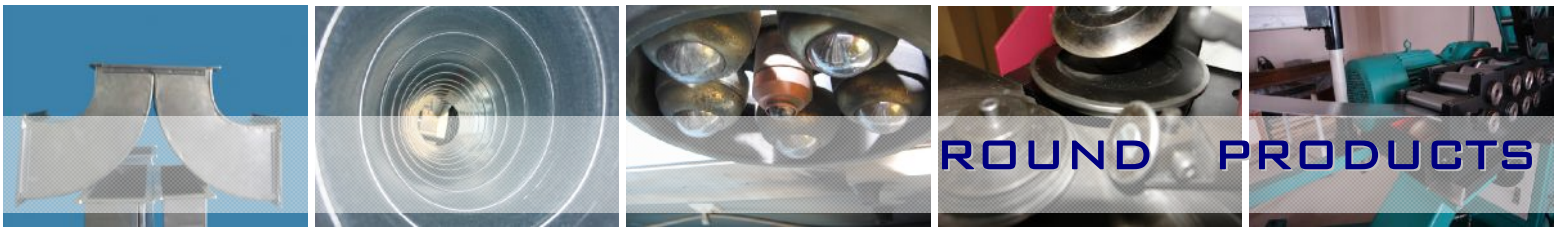
Demark Construct code:

DMC CTC d- r - u
d = diameter;
r = ray;
u = angle.

Example:

DMC CTC 500-500-90

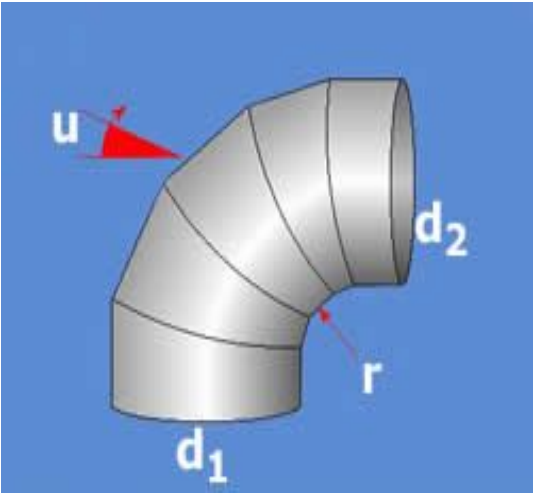


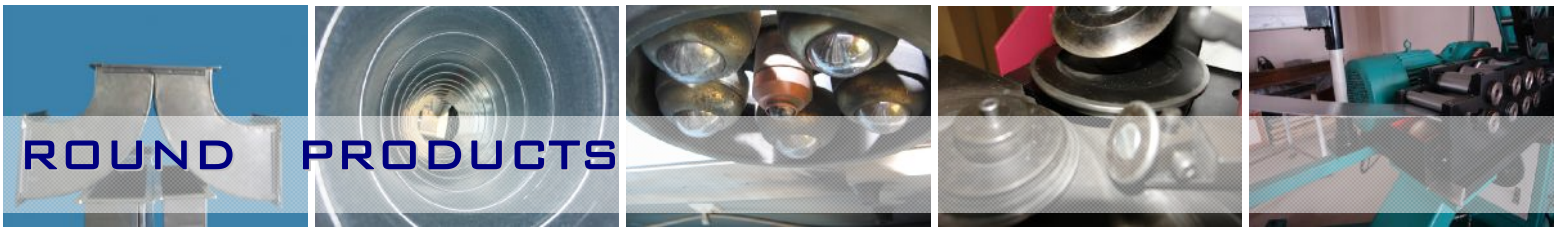


ROUND PRODUCTS

ROUND ELBOW

<p><i>Demark Construct code:</i></p>	<p>DMC CTC d_1-d_2-r-u d_1 = diameter 1; d_2 = diameter 2; r = ray; u = angle.</p>
<p><i>Example:</i></p>	<p>DMC CTC 500-600-300-90</p>





ROUND PRODUCTS

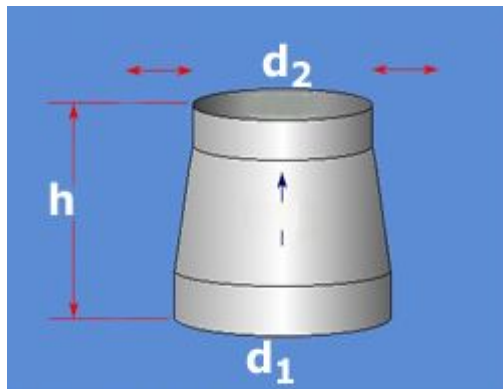
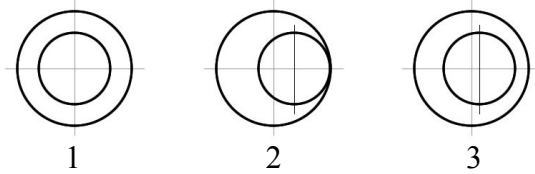
ROUND REDUCER

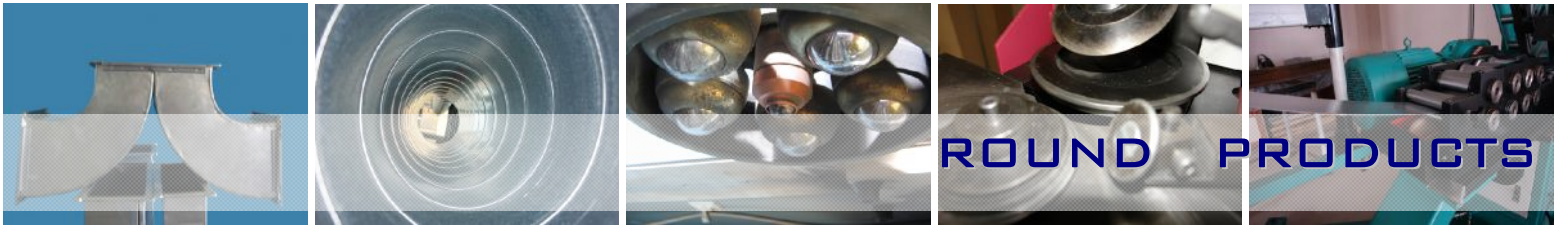
Demark Construct code:

DMC RC d_1 - d_2 - h - t
 d_1 = diameter 1;
 d_2 = diameter 2;
 h = height;
 t = type (1 - 3).

Example:

DMC RC 400-300-500-1





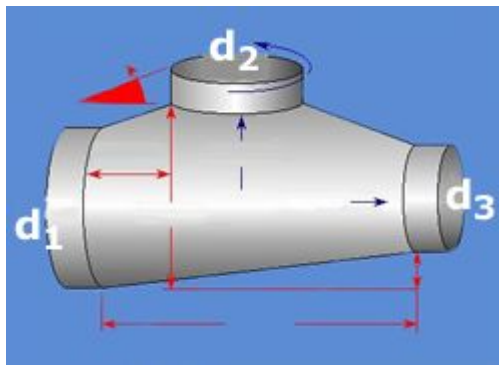
ROUND TEE

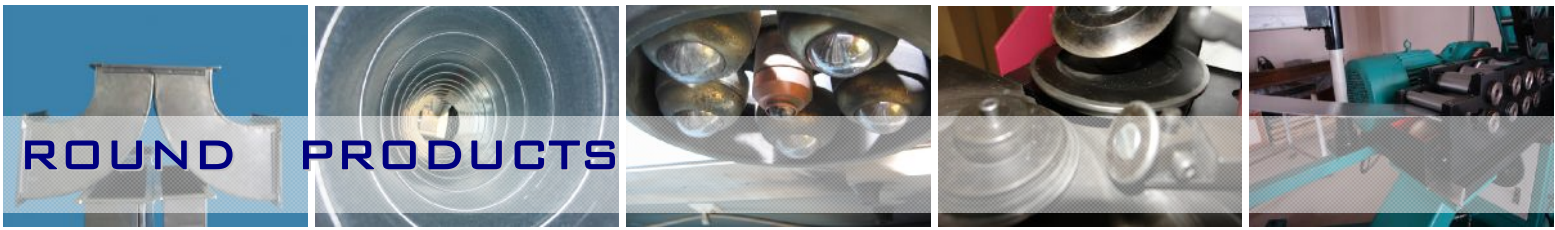
Demark Construct code:

DMC TC d_1 - d_2 - d_3
 d_1 = diameter 1;
 d_2 = diameter 2;
 d_3 = diameter 3.

Example:

DMC TC 500-400-500





ROUND PRODUCTS

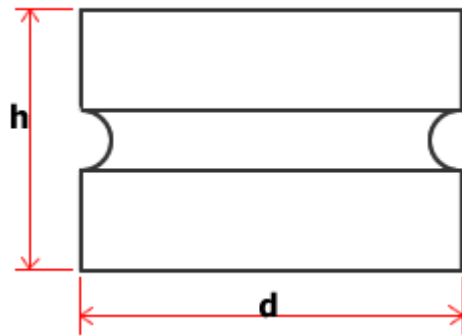
FEMALE COUPLING

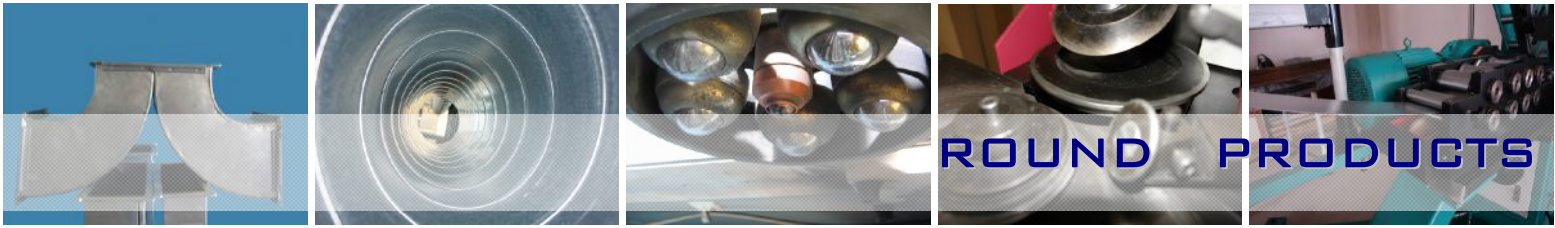
Demark Construct code:

DMC MF d-h
d = diameter;
h = height.

Example:

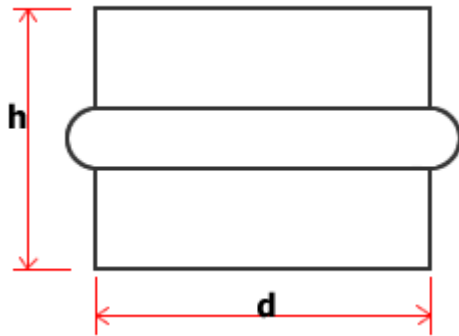
DMC MF 400-100





COUPLING

<i>Demark Construct code:</i>	DMC NP d-H d = diameter; H = height.
<i>Example:</i>	DMC NP 400-140





the confort by your side.

**SC DEMARK CONSTRUCT SRL
TIMIȘOARA**

SC Demark Construct SRL
Calea Buziașului nr. 11
300714, Timișoara,
România

CUI: RO 18818291
J 35/2150/03.07.2006
Cont: RO26PIRB3701710651001000
Banca: PIRAEUS BANK TIMIȘOARA

Tel. +40 (0) 356 437710
Fax. +40 (0) 356 437710
www.demarkconstruct.ro
office@demarkconstruct.ro